



57460 Dewitt Street ▪ Elkhart, Indiana 46517-1078  
Phone (574) 293-9096 ▪ Fax (574) 294-3450  
800-628-2957 ▪ Web site: www.rpiroyaledge.com



## ARCHITECTURAL SPECIFICATIONS FULLY ADHERED SYSTEM

### **A1.00**

### **GENERAL**

---

- A1.01 APPLICABILITY
- A1.02 RELATED WORK
- A1.03 QUALITY ASSURANCE AND WARRANTY
- A1.04 DESIGN CONSIDERATIONS
- A1.05 ROOF DRAWINGS
- A1.06 ROOF DECK AND FLASHING SURFACES
- A1.07 JOB CONDITIONS
- A1.08 STORAGE OF MATERIALS
- A1.09 SURFACE PREPARATION

### **A2.00**

### **MATERIALS**

---

- A2.01 MEMBRANE AND FLASHING MATERIAL SPECIFICATIONS
- A2.02 COMPONENT MATERIALS

### **A3.00**

### **WORKMANSHIP AND APPLICATION**

---

- A3.01 INSULATION INSTALLATION
- A3.02 MEMBRANE INSTALLATION
- A3.03 SPLICING
- A3.04 NAILERS
- A3.05 FLASHING
- A3.06 NIGHT SEAL
- A3.07 WALKWAY PADS
- A3.08 PROTECTION
- A3.09 CLEANUP



57460 Dewitt Street ▪ Elkhart, Indiana 46517-1078  
Phone (574) 293-9096 ▪ Fax (574) 294-3450  
800-628-2957 ▪ Web site: www.rpiroyaledge.com



Royal Edge Reinforced or Non-Reinforced EPDM Roofing Membrane is fully adhered to an approved insulation or substrate using RPI Bonding Adhesive. RPI approved FM/UL insulation is fastened per local wind and/or requirements and specifications. Flashing and termination details are shown on the detail sheets. Field Seams are made using RPI Seam Tapes.

## **A1.00 GENERAL**

### **A1.01 APPLICABILITY**

The Fully Adhered roofing system is appropriate for most commercial and industrial applications. Please consult RPI regarding roofs with the following conditions:

1. Exhaust fans discharging chemical or petroleum products onto the roof.
2. Irregular slopes.
3. Roofs classified Zone III by Factory Mutual's Loss Prevention Data Bulletin I-28.
4. Roofs subject to special code requirements.
5. Ponding Water.

### **A1.02 RELATED WORK**

It is RPI's policy not to warrant metal, nailers, tie-ins, or other materials not sold or manufactured by RPI. Because the roofing integrity depends on this related work, please refer to detail drawings for recommended fastening and membrane related installation. It is the duty of the contractor to notify the architect or owner of any defects or design problems prior to installation.

### **A1.03 QUALITY ASSURANCE AND WARRANTY**

A standard twenty (20) year limited membrane only warranty is available for .060 membrane and a ten (10) year limited membrane only warranty is available for .045 membrane. Extended warranties are available upon request. A labor warranty is available through our Registered Applicator Program and only if certain conditions are met. Please Refer to the Warranty Section of this manual for further information regarding limited membrane only warranties and labor warranties.

All membrane and component parts of the total installation assembly must be supplied or approved by RPI. The Limited Membrane Only Warranty shall be in effect upon the date of the completed installation, pending payment in full of all bills to RPI, and its suppliers.

### **A1.04 DESIGN CONSIDERATIONS**

#### **SUBSTRATE**

It is the installer's responsibility to inspect the substrate for defects or incompatibility with RPI's Royal Edge Roofing Systems and to notify the architect, owner, or general contractor if problems are encountered.

Various decks may require an acceptable insulation and/or recovery/fiber board. Pull-out test of fasteners are recommended for mechanical attachment of insulation and/or recovery/fiber board.

The various decks may be:

1. Fluted steel, 24 gauge or heavier, through which at least 1/2 inch penetration through the deck with an appropriate screw fastener must be achieved. Due to the fluted design of steel decks, a specific effort is required to assure 1/2 inch penetration is attained in either the top or bottom of the flute, with the

2. Structural concrete, rated at 3500 psi or greater, containing no light weight aggregate. Insulation may be attached by one of the following methods:
  - a. Mechanical attachment using a minimum one (1) inch penetration with a compatible concrete fastener.
  - b. Adhering using appropriate materials.
3. Wood plank (minimum 1 inch thickness) or APA grade CDX Plywood (minimum 5/8 inch thickness), with a one (1) inch penetration into or through the deck utilizing RPI approved fasteners.
4. Gypsum, precast or poured in place concrete, through which a compatible type fastener, or an acceptable type adhesive system is employed.
5. A light weight insulating concrete, mesh reinforced, over composite form board decking, through which an RPI approved fastener is attached.
6. Cementious fiber (Tectum), through which an RPI approved fastener is attached.

### **WOOD NAILERS**

Wood nailers are recommended at all of the following:

1. All roof edges where insulation thickness is greater than 1/2 inch thick for reroofing, and all roof edges in new construction.
2. All expansion joints.
3. All pitch pockets greater than twelve (12) inches on any one (1) side.
4. Refer to RPI detail drawings for other nailer recommendations.

Wood nailers shall support the entire flange of all sheet metal.

### **VAPOR BARRIERS**

Vapor barriers are recommended when high humidity of the building interior is a concern, and on freezer and cooler structures.

As an insulation precaution, vapor barriers should be used when the following conditions are anticipated:

1. Outside average temperature is below 40°F.
2. Expected interior relative humidity is 45% or greater.

### **INSULATION**

Must meet ASTM's as specified for each type of insulation.

### **ROOFING CONSIDERATIONS**

The owner or designate is responsible for the design and engineering of the roof deck and the compatibility of RPI's Royal Edge Roofing System with the roof deck. All roof membrane and accessories shall be supplied or approved by RPI. The roofing contractor shall not proceed with the installation until all defects in the sub-strate or structural deck have been corrected.

Flashings and membranes must extend up a minimum of eight (8) inches on all protrusions and a minimum of twelve (12) inches on all parapet walls. If it is impossible to achieve the minimum application height, notify RPI.

Royal Edge EPDM Membrane cannot be adhered to uneven surfaces such as stucco, insulated wall panels, textured masonry or corrugated metal.

RPI shall not be responsible for failure or damage to the Royal Edge Roofing System caused by errors in the underlying design, engineering, quantities or dimensions of the roofing system.

### **WALKWAY PADS**

It is required that walkway pads or pavers to be installed at all access points to the roof and around units requiring regular maintenance.

## A1.05 ROOF DRAWINGS

In accordance with the warranty program, an overall roof drawing or diagram showing the dimensional size of the buildings roof system as well as the all the locations of the penetrations and protrusions in the roof must accompany the "Job Start Notification Form".

Flashing, perimeter, and termination details shall be noted on the overall roof diagram or itemized on a penetration detail sheet.

## A1.06 ROOF DECK AND FLASHING SURFACES

Surfaces shall be free of sharp projections, and swept clean of all debris.

Surfaces, old or new, shall be free of contaminants, such as (but not limited to) asphalt, oil, grease, cement, scale paint, and similar materials.

If vertical surfaces will not accept bonding adhesive, the surface must be covered with a minimum 1/2 inch high density fiberboard, 1/2 inch CDX Plywood, 1/8 inch tempered hardboard, or 7/16 inch OSB properly fastened (a minimum of one (1) fastener per four (4) square feet) to the parapet and buildings vertical walls.

All applications shall be terminated a minimum of twelve (12) inches above the roof deck wherever possible.

## A1.07 JOB CONDITIONS

No application of the Royal Edge Roofing System shall commence or proceed during inclement weather.

Temperatures below 40° F require special attention for the application of the Royal Edge EPDM Membrane. Follow the specified precautions for the storage of materials and expose only enough adhesives and sealants to be used within a reasonable period when using below 40° F.

**NOTE:** Adhesive drying time is extended in cold temperatures, and heat guns and heat boxes are necessary to assist in the proper application of flashings and seaming.

Do not install the Royal Edge Roofing System over ponding water, ice, snow, or saturated insulation that will cause future condensation, dry rot, or insulation deficiencies.

**WARNING: DO NOT BREATHE THE VAPORS OF THE ADHESIVES OR SEALANTS OR USE THEM NEAR A FIRE OR OPEN FLAME. THEY CONTAIN PETROLEUM DISTILLATES THAT MAKE THEM EXTREMELY FLAMMABLE.**

During installation do not expose the Royal Edge Membrane or accessories to a constant temperature in excess of 180°F.

**NOTE: DO NOT ALLOW ADHESIVES, FLASHINGS AND CAULKING TO FREEZE**

Materials used in the splicing procedures are EXTREMELY FLAMMABLE. Do not use near an open flame or in an unventilated or confined area. Dispense only from a UL listed or approved safety container.

Do not use oil based or plastic roof cement to adhere the Royal Edge Cured Membrane. Plastic roof cement can only be used with Uncured Royal Edge Flashing Membrane on tie-ins.

Do not allow waste products such as petroleum, oil, grease, solvents, vegetable or mineral oil, animal fat or direct steam venting to come into contact with the Royal Edge Membrane.

## A1.08 STORAGE OF MATERIALS

All materials shall be stored in their original tightly sealed containers or unopened packages and shall be clearly labeled with the manufacturer's name, brand name, and batch number of the material, where appropriate.

Materials shall be stored in neat and safe manner so as not to exceed the allowable live load of the storage area on the roof.

All materials, except the Royal Edge Membrane, shall be stored out of the weather in a clean dry area.

Liquid materials such as adhesives, thinners, and cleaners shall be stored in areas away from sparks, open flames, and excessive heat.

**WARNING: ADHESIVES ARE FLAMMABLE.  
ADHESIVES OPENED IN CONFINED SPACES ARE TOXIC.  
USE ONLY IN WELL VENTILATED AREAS.**

Store materials, except for the Royal Edge Membrane, between 60° and 80°F. If exposed to lower temperatures, restore to proper temperature before using. Damaged materials will be replaced at contractor's expense.

## **A1.09 SURFACE PREPARATION**

The owner, architect, or designate shall be responsible for providing a structurally sound and proper roof deck to receive the Royal Edge Roofing System. The roofing contractor shall notify the owner or designate, in writing, of defects in the substrate and work shall not proceed until defects have been corrected. Surfaces on which the Royal Edge Membrane is to be applied shall be clean, smooth, and free of fines, sharp edges, loose, and foreign material such as oil and grease. Before laying insulation board, the roof surface shall be broomed to remove loose gravel to help eliminate potential overweight structural problems.

Prior to installation, all unused pipes, skylights, curbs, and other protrusions should be removed.

## **A2.00 MATERIALS**

### **A2.01 MEMBRANE AND FLASHING MATERIAL SPECIFICATIONS**

Membrane for this work shall conform to the specifications contained in the General Section page G-7 of this manual and shall be a nominal .060 Mil thick Reinforced/Non Reinforced Royal Edge EPDM (ethylene propylene diene monomer) compounded elastomer.

Flashing materials shall be Royal Edge nominal .060 mil thick, uncured moldable EPDM flashing membrane.

**WARNING: SHEET MEMBRANE IS EXTREMELY SLIPPERY WHEN WET DUE TO THE MOISTURE PICKED UP FROM THE MICA DUST ON THE SHEET.**

### **A2.02 COMPONENT MATERIALS**

All component materials necessary for the proper installation of the fully adhered system are to be furnished by Roofing Products International, Inc. Use of component materials furnished by other vendors will void any express or implied warranties in connection with the performance of the system.

1. Bonding Adhesive (Solvent Based)
2. Splicing Adhesive (Rubber-to-Rubber)
3. Seam Tape
4. Seam Tape Primer
5. Lap Caulk (Paste Sealant)
6. Membrane Cleaner
7. Pourable Sealer
8. Water Cut Off Mastic or WaterBloc Tape
9. Termination Bar and Fasteners
10. Fasteners
11. Uncured Flashing membrane
12. Prefabricated Pipe Boots
13. Walkway Pads
14. Prefabricated Drain Sleeves
15. One-Way Moisture Vents
16. Batten Bars
17. Scrub Pads

## **A3.00 WORKMANSHIP AND APPLICATION**

### **A3.01 INSULATION INSTALLATION**

Any FM/UL approved insulation that is compatible with the adhesives is acceptable. Comply with the manufacturer's instructions for installation.

Insulation board shall be laid on the roof surface and butted together. Stagger joints with no gaps greater than 1/8 inch. If more than one (1) layer is used, offset joints of the first layer to the joints of the second layer.

Unless otherwise required by the specified, insulation should be installed according to the insulation manufacturer's published recommendations.

There are generally two (2) acceptable methods of insulation attachment. They are as follows:

1. Mechanically fastened with RPI supplied or approved fasteners. Please refer to detail for minimum fastener pattern.
2. 100% adhesion using a flood coat of Type III or IV asphalt, installed at the rate of 30-35 pounds per 100 square feet. Typical precautions will include but are not necessarily limited to:
  - a. The surface to which the insulation is to be adhered to must be secure. The wind resistance will not exceed that provided by the existing membrane and substrate.
  - b. Power broom the existing built-up roof to remove all gravel, spud the built-up roof down to the top layer of felt.
  - c. Prior to the asphalt application, the existing surface shall be prepared by repairing all blisters, cracks, or other deficiencies with compatible repair materials.
  - d. Prior to the asphalt application, the substrate surface shall be dry and clear of any foreign materials.
  - e. For successful attachment, proper asphalt temperatures must be maintained.

NOTE: On buildings over 40' in height contact RPI for details.

Do not lay more insulation board than can be covered with the Royal Edge Membrane by the end of the working day.

Please refer to the UL and FM Classification Directories for additional information on insulation.

### **A3.02 MEMBRANE INSTALLATION**

Lay the Royal Edge Membrane over the insulation, removing all wrinkles and arrange the sheet exactly to the desired position. NOTE: Avoid stretching the membrane.

If possible, install the roof starting at the highest point and working down to the lowest point. Insure that the placement of the seams will shed and not buck water.

Allow the membrane to relax to effect a minimum overlap of (6) inches to the adjacent sheet.

Allow enough Royal Edge Membrane at the roof edges to cover parapet walls, gravel stops, or extensions into the gutters.

Fold back the membrane so that one-half (1/2) of the underside is exposed. Be sure that the sheet fold is smooth and free of wrinkles.

Mix the bonding adhesive by stirring thoroughly to the bottom of the container. DO NOT THIN THE ADHESIVE. Using a solvent accepting paint roller or a spraying device, apply an even coat of adhesive, avoiding globs and puddles, to both the Royal Edge Membrane and the insulation/substrate. Solvent based bonding adhesive should be applied at an even coverage of approximately 350 square feet per five (5) gallon can. DO NOT APPLY TO THE SPLICE AREAS.

Allow solvent based bonding adhesive to dry to the touch (Not stringy to the finger touch). Roll coated sheet of Royal Edge Membrane into coated insulation/substrate making sure to keep the middle of the sheet ahead of the ends so as to avoid wrinkles.

Using a stiff push broom, broom the bonded portion of the sheet to the substrate to insure 100% adhesion.

Repeat the process with the remaining sheets.

## A3.03 SPLICING

### A. ADHESIVE

1. Fold the sheet back to effect a minimum six (6) inch splice.
2. Clean both mating surfaces with a sponge mop saturated with RPI Membrane Cleaner. It is extremely important to frequently dip the sponge mop to remove all talc, dirt, and other contaminants.
3. Apply RPI Splicing Adhesive to both mating surfaces, extending a minimum of one (1) inch beyond the splice area, using a solvent resistant paint brush or roller. Adhesive should be applied at a minimum rate of approximately 130 to 140 lineal feet of six (6) inch splice per one (1) gallon. Brush or roll on the Splicing Adhesive to obtain 100% coverage. Do not allow the adhesive to glob or puddle. Allow adhesive to dry until tacky (i.e. not sticking to a dry finger touch).
4. Roll the top membrane onto the bottom membrane and allow it to fall freely into place without stretching or wrinkling (fishmouths). Immediately apply pressure to bring the bonded surfaces into 100% contact.
5. Using a Steel hand roller, roll the entire length of spliced area toward the outer edge at a 45° angle.
6. Clean the spliced edge with RPI Membrane Cleaner, extending a minimum of one (1) inch onto the top and bottom sheets to remove all talc, dirt, or other contaminants.
7. Apply a 1/4 inch bead of RPI Lap Caulk along the edge of the splice forming a bridge between the two mated sheets of the Royal Edge Membrane. Do not feather or tool the bead of lap caulk.

**NOTE:** It is advisable to allow the seam to set for twenty four (24) hours prior to applying the lap caulk in order to allow all the adhesive solvents to dissipate. If adverse weather conditions are expected apply the lap caulk at the end of the day.

### B. SEAM TAPE

1. Fold the sheet back to effect a minimum four (4) inch splice.
2. Clean both mating surfaces with a sponge mop saturated with RPI Membrane Cleaner. It is extremely important to frequently dip the sponge mop to remove all talc, dirt, and other contaminants.
3. Prime the splice area using RPI Seam Tape Primer applied at the minimum rate of 200 to 250 lineal feet per one (1) gallon.
4. Snap a chalk line 1/4 inch from the underside of seam of membrane, allow 1/8 inch extra tape to remain beyond the lap edge to act as a water barrier. NOTE: Presnap chalk line in the air to remove any excess chalk dust. Seam Tape will not adhere to chalk dust.
5. Line up seam tape and unroll with release paper in place. Run the tape 1/8 inch back from the chalk line. Do not back up or a ridge will form in the seam tape. The tape has a very aggressive tack; do not touch the tape, and never permit the tape surface to touch itself. Roll the surface with the release paper in place to assure complete contact with the overlapping membrane. Anything less than 100% adhesion is not acceptable.
6. Flop over the top membrane and remove the release paper at a 90° angle along the seam slowly to mate top and bottom of splice without air pockets forming.
7. When finishing one roll, overlap the start of the next roll up onto the end of the previous roll a minimum of 1 inch. Knead the ridge that will be formed with a steel hand roller.
8. Using a steel hand roller, roll the entire length of spliced area toward the outer edge at a 45° angle.
9. Clean the spliced edge with RPI Membrane Cleaner, extending a minimum of one (1) inch onto the top and bottom sheets to remove all talc, dirt, or other contaminants.

10. Apply a 1/4 inch bead of RPI Lap Caulk along the edge of the splice forming a bridge between the two mated sheets of the Royal Edge Membrane at all seam tape roll overlaps. Do not feather or tool the bead of lap caulk.

### **C. T-JOINTS**

#### **1. SPLICING ADHESIVE**

All T-joint splice intersections are to be patched over using a minimum six (6) inch diameter uncured Royal Edge Membrane with rounded corners centered over T-joint. Using a steel hand roller, roll the entire patch attaining 100% adhesion. Apply a minimum 1/4 inch bead of RPI Lap Caulk along the exposed edge forming a bridge between the two sheets of membrane. Do not feather or tool the bead of lap caulk.

#### **2. SEAM TAPE**

All T-joint splice intersections are to be patched over using a minimum six (6) inch diameter uncured Royal Edge Membrane with rounded corners centered over T-joint. Using a steel hand roller, roll the entire patch attaining 100% adhesion. Apply a minimum 1/4 inch bead of RPI Lap Caulk along the exposed edge forming a bridge between the two sheets of membrane. Do not feather or tool the bead of lap caulk.

### **A3.04 NAILERS**

Nailers are required to be installed at the perimeter of each roof level, curb flashing, skylights, expansion joints, and similar penetrations. Wood nailers shall be installed at all gravel stop or drip edge perimeters of each roof level. Pressure treated wood nailers are required. Creosote and asphalt preservatives are not acceptable.

Attach wood nailers to resist a wind force of one hundred twenty five (125) pounds per lineal foot or as recommended by FM Loss Prevention Data Bulletin I-49. The thickness of the nailer shall be such that the top is flush with the surface to which the Royal Edge Membrane is to be applied.

### **A3.05 FLASHING**

Flashing should be installed in accordance with RPI detail drawings.

Cured Royal Edge Membrane is to be used for flashing parapet walls, and curbs. Refer to RPI's standard flashing detail drawings.

Uncured Royal Edge Membrane is to be used on all outside corners, vents, chimney's, skylights, and pipes. Two (2) layers of uncured Royal Edge Membrane are to be used on all flashings of outside corners, pipes, and one layer on radical bends of the field seams. Install the Royal Edge Uncured Membrane with RPI Splicing Adhesive. Refer to RPI's standard flashing details.

#### **PARAPET WALLS AND CURBS (cured Royal Edge Membrane)**

1. Surface should be clean and free of contaminants, loose old flashings, have to be removed.
2. Apply bonding adhesive to parapet wall, or curb, and the Royal Edge Membrane. Extend the cured Royal Edge Membrane up the parapet wall in one piece to the termination point twelve (12) inches minimum above deck. NOTE: Any Bridging at the 90° angle change is unacceptable.
3. Alternate method for parapet walls:
  - a. Cut Royal Edge Membrane at base of wall, or extend it up parapet a minimum of two (2) inches above roof deck.
  - b. Mechanically attach membrane using RPI's Batten Bar. Mechanically attach batten bar every twelve (12) inches.
  - c. Cut a piece of cured Royal Edge Membrane which will extend up the parapet wall or curb a minimum of twelve (12) inches, and will extend out onto the deck a minimum of six (6) inches.



- d. Apply RPI Bonding Adhesive to parapet wall or curb and the Royal Edge Membrane. Apply RPI Splicing Adhesive to batten bar and Royal Edge Membrane making sure to extend out onto the roof deck a minimum of six (6) inches.
4. When a field seam changes plane, a six (6) inch wide by twelve (12) inch long piece of uncured Royal Edge Membrane must be installed over the center of the seam using RPI Splicing Adhesive. Make sure the cover strip extends up the parapet wall and out onto the deck a minimum of six (6) inches.

#### **EXPANSION JOINTS**

1. See RPI standard detail for expansion joints.

#### **DRAINS**

1. Drains with clamping rings: Refer to RPI standard drain detail.
2. Drains using RPI one piece sleeve: Refer to RPI standard sleeve detail.

For various flashing termination's, refer to RPI's detail drawing.

### **A3.06 NIGHT SEAL**

Care should be taken to insure that water does not flow beneath any completed sections of the roof. Loose edges of the Royal Edge Membrane should be temporarily sealed with RPI's Royal Edge Uncured Membrane, Water Cut-Off mastic, or pourable sealer when the weather is threatening, or finishing up for the day.

Gravel should be scraped down to the felts on the existing built up roof in the area where the temporary night tie-in is to be made for proper night sealing.

Apply water cut off mastic at a minimum rate of twenty (20) lineal feet per tube on a smooth surface, twelve (12) inches back from the edge of the sheet onto the exposed existing surface. A trowel should be used to spread the material in order to achieve complete sealing. This coverage will be reduced on existing built up roof surfaces according to surface preparation.

After embedding the Royal Edge Membrane in the RPI Water Cut Off Mastic or Pourable Sealer, check for continuous contact. Weight the edge, providing continuous pressure over the length of the tie-in.

RPI does not assume responsibility for any night seal.

### **A3.07 WALKWAY PADS**

RPI Roof Walkway Pads or Pavers are required in areas whenever foot traffic is anticipated. See RPI standard detail drawing.

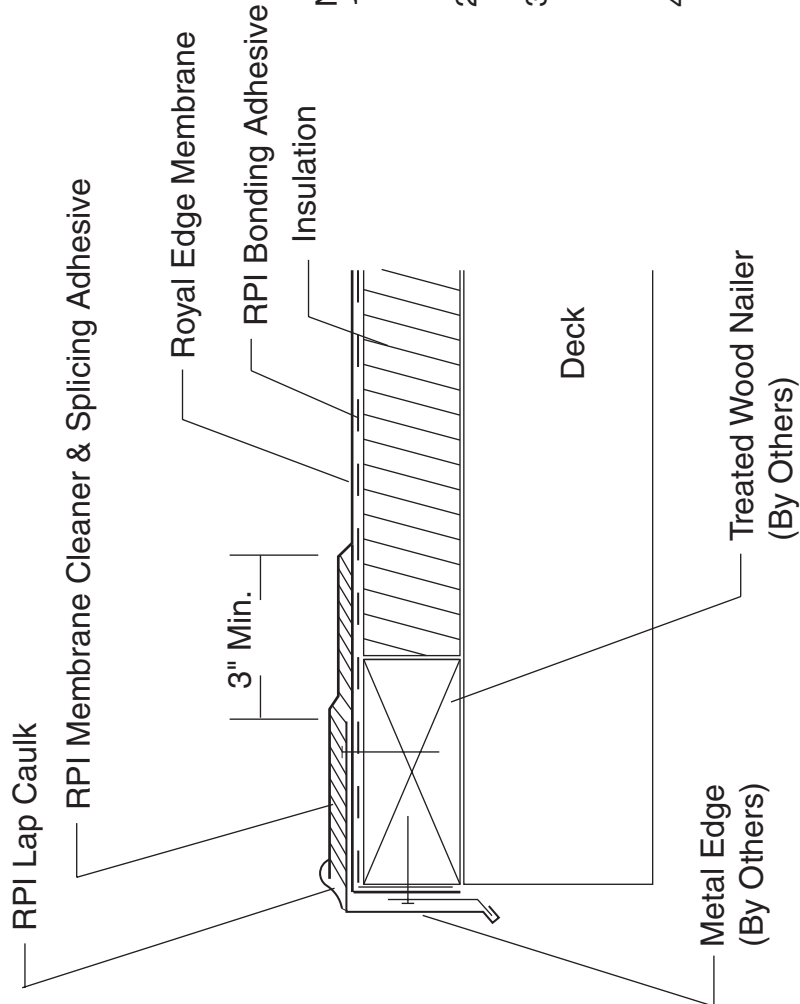
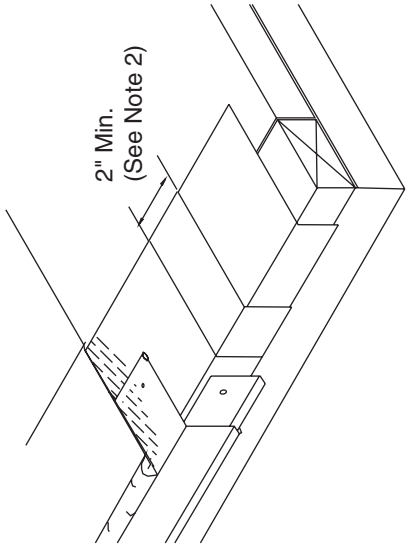
### **A3.08 PROTECTION**

1. The contractor shall protect this system from all trades not directly under his supervision.
2. Any damage to this system shall be repaired before warranty acceptance of the system, and the cost of the repairs will be borne by those responsible for such damages.

### **A3.09 CLEAN UP**

The applicator shall remove all materials and debris from the work and storage areas, and leave those areas in an undamaged and acceptable condition.

**As a supplier of materials only, Roofing Products International, Inc., 57460 Dewitt Street, Elkhart, IN 46517 does not assume responsibility for errors in design, engineering, quantities or dimensions. All materials are to be applied in strict accordance with manufacturer's printed instructions. Specifier to verify all dimensions, sizes and structural soundness.**



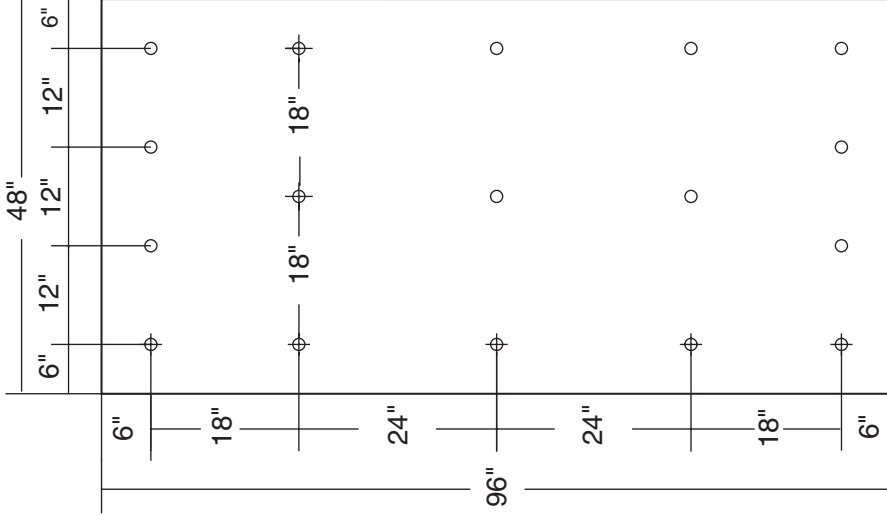
**Notes:**

1. Metal Deck Flange Must Be Totally Covered With Royal Edge Membrane.
2. Minimum 2" Seam From Screw Head.
3. Fasteners & Fastener Pattern As Recommended By Metal Edge Manufacturer.
4. Pressure Treated Wood Nailer Must Extend Past Total Width Of Metal Edge Deck Flange.
5. Underside of Metal Flange Must Be Sealed At All Joints, Consult Respective Manufacturer For Appropriate Sealant.

**FA-1  
DRIP EDGE**



**RPI'S MINIMUM REQUIRED FASTENING PATTERN FOR ORIENTED STRAND BOARD (OSB) ON FULLY ADHERED ROOFING SYSTEMS**



1/2" x 4' x 8' Oriented Strand Board

**NOTES:**

1. If Factory Mutual (FM) Rating Is Not Required The Following Tolerance On Dimensions Between Fasteners Are Permitted.

Dimensions Shown On Drawing	Permitted Tolerances
6"	$\pm 1.2"$
12"	$\pm 1"$
18"	$\pm 1-1/2"$
24"	$\pm 2"$

2. Joints in OSB Should Be Staggered With Joints in Insulation Board (If Specified).

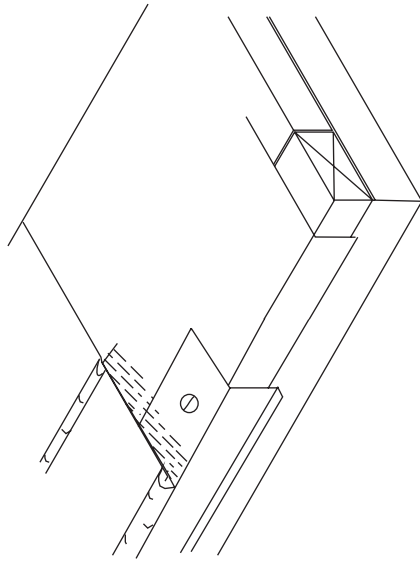
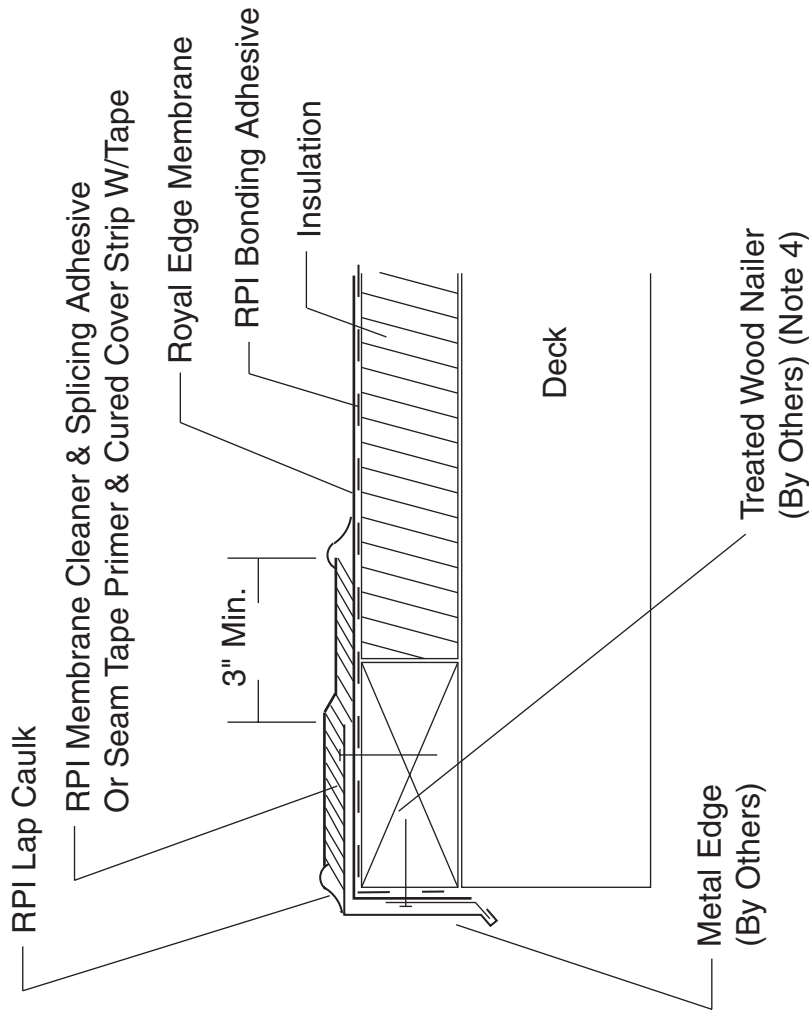
3. OSB Should Be Positioned With 1/8" Gap Between Boards.

4. If A Wind Uplift Warranty Greater Than 35 MPH is Specified, RPI Must Be Contacted Prior To Project Bid For Additional Fastener Requirements.

5. For Criteria On Insulation Fasteners & Plates See Specs.

**FA-2  
4' X 8' OSB BOARD ATTACHMENT**



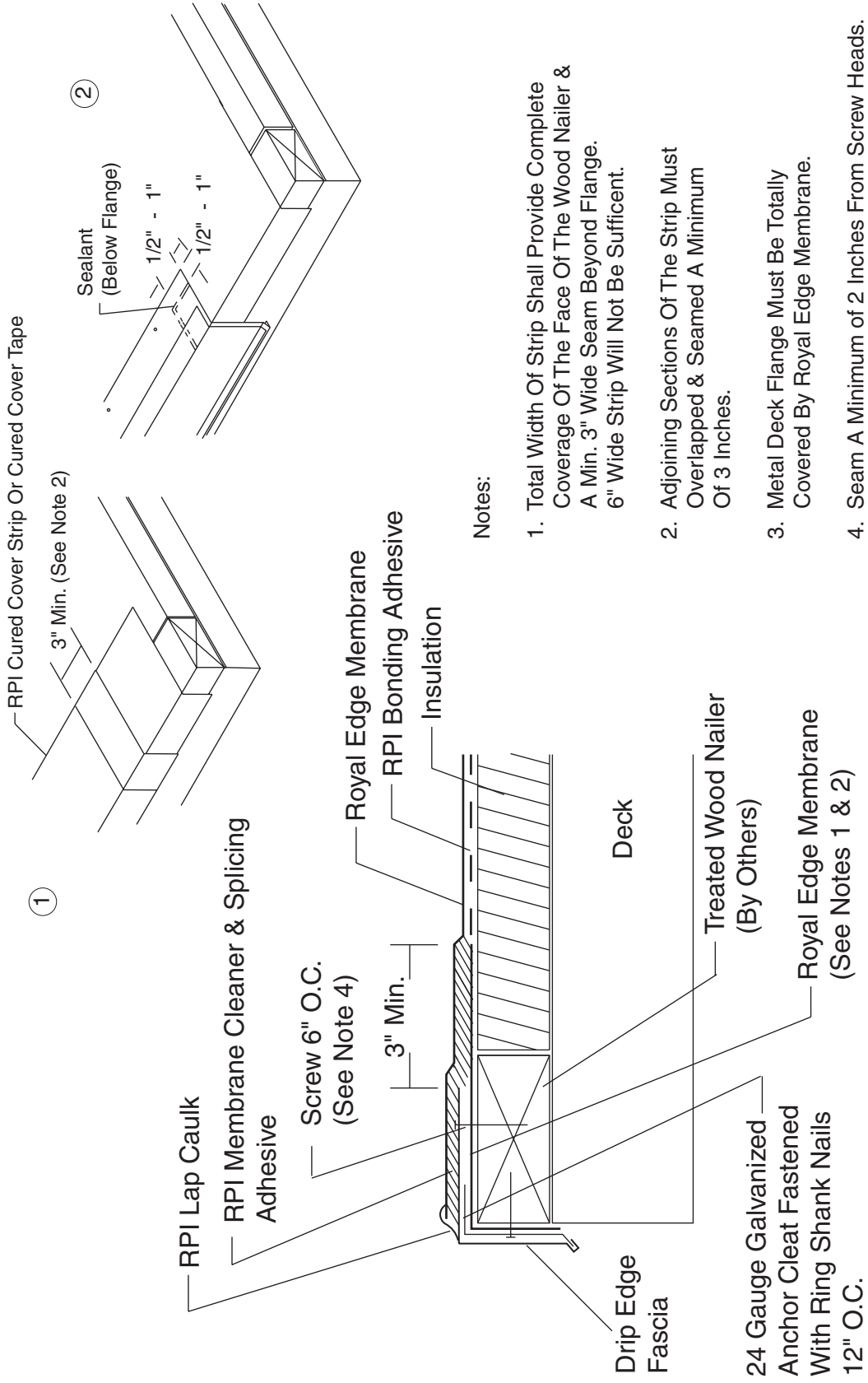


Notes:

1. Metal Deck Flange Must Be Totally Covered By Royal Edge Membrane.
2. Minimum 2" Seam From Screw Head.
3. Fasteners & Fastener Pattern As Recommended By Metal Edge Mfg.
4. Treated Wood Nailers Must Extend Past Total Width Of Metal Edge Deck Flange.
5. Underside of Metal Flange Must Be Sealed At All Joints. Consult Respective Mfg. For Appropriate Sealant.

**FA-3 DRIP EDGE WITH CURED COVER STRIP OR CURED MEMBRANE**





**Notes:**

1. Total Width Of Strip Shall Provide Complete Coverage Of The Face Of The Wood Nailers & A Min. 3" Wide Seam Beyond Flange. 6" Wide Strip Will Not Be Sufficient.
2. Adjoining Sections Of The Strip Must Overlap & Seamed A Minimum Of 3 Inches.
3. Metal Deck Flange Must Be Totally Covered By Royal Edge Membrane.
4. Seam A Minimum of 2 Inches From Screw Heads.

**FA - 4**

**DRIP EDGE**

